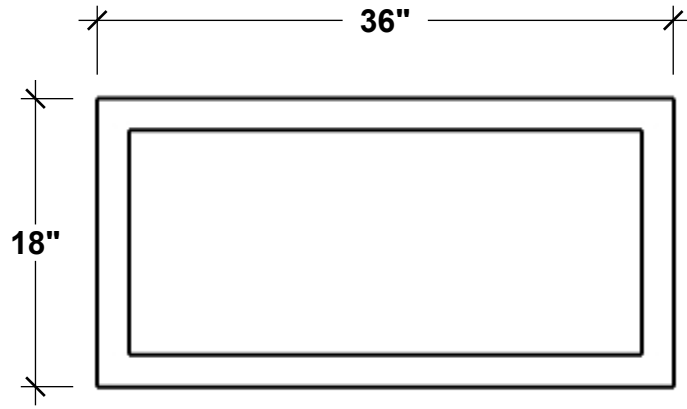
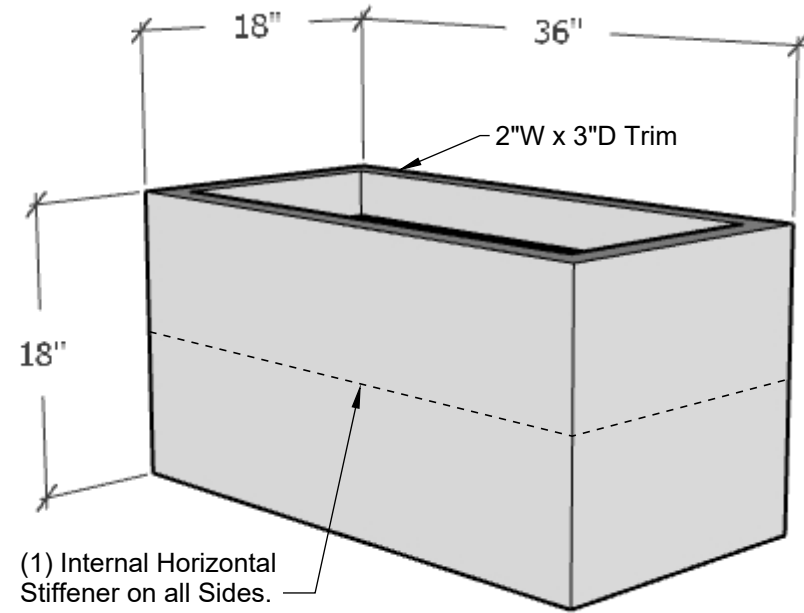


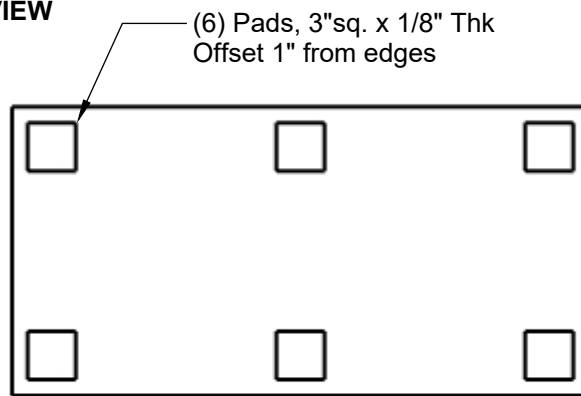
TOP VIEW



PERSPECTIVE VIEW



BOTTOM VIEW



**PLANTERS
UNLIMITED**

A Carlsbad Manufacturing Company

1 (888) 320-0626

www.plantersunlimited.com

GENERAL NOTES

STANDARD DRAINAGE: YES NO

- 1. Standard Drainage Needed
- 2. Drainage will be added next to pads.

PRODUCT DESCRIPTION				SKU				PREPARED FOR	APPROVAL SIGNATURE
MODERN RECTANGULAR PLANTER				C19-MOD-REC361818-ZINC-DRG-FS					
DIMENSIONS	MATERIAL	COLOR / FINISH	REP	DB	DATE	REV	ORDER #	PROJECT / SIDEMARK / IF#	APPROVAL DATE
36"L x 18"W x 18"H	FIBERSTONE	Zinc							

PLEASE NOTE: Due to the handmade nature of our products, individual measurements may vary from those listed. The provided dimensions are for reference only

All images are the intellectual property of Planters Unlimited. Reproduction in any form is strictly prohibitive without the express written permission of Planters Unlimited. All designs are property of Planters Unlimited.