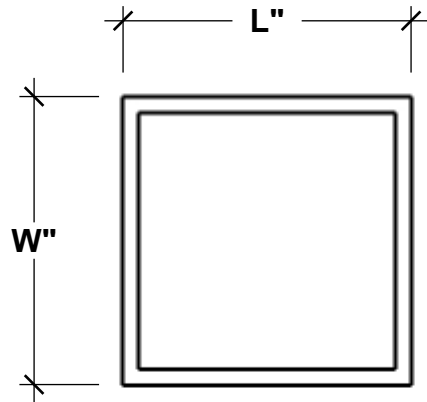
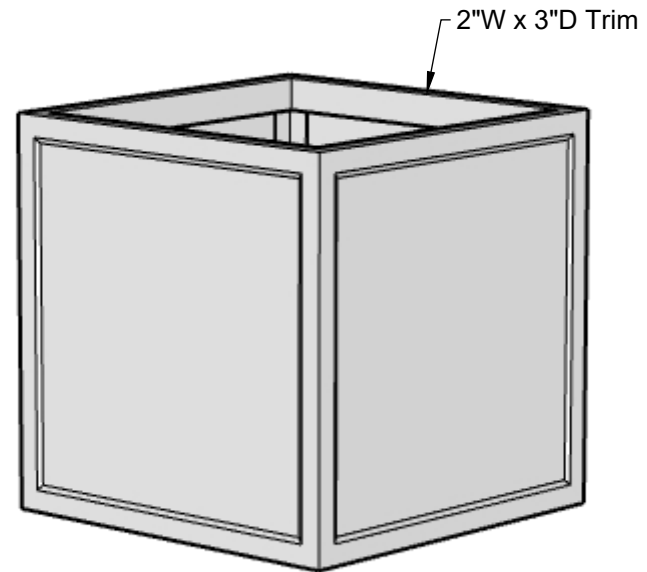


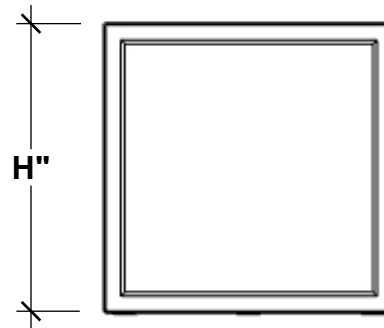
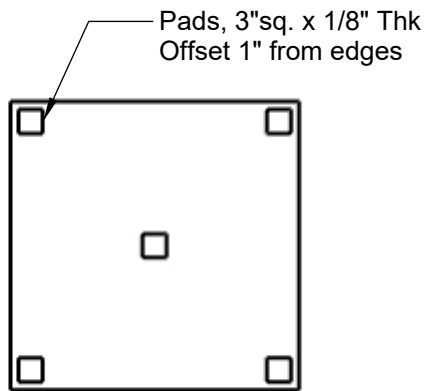
**TOP VIEW**



**PERSPECTIVE VIEW**



**BOTTOM VIEW**



**PLANTERS  
UNLIMITED**

A Carlsbad Manufacturing Company

1 (888) 320-0626

www.plantersunlimited.com

**GENERAL NOTES**

STANDARD DRAINAGE: YES  NO

Internal Stiffeners as needed  
Corner Support >40\"SQ

PRODUCT DESCRIPTION				SKU				PREPARED FOR		APPROVAL SIGNATURE
ASHVILLE SQUARE PLANTER				F1-ASH-S						
DIMENSIONS	MATERIAL	COLOR / FINISH	REP	DB	DATE	REV	ORDER #	PROJECT / SIDEMARK / IF#	APPROVAL DATE	
	FIBERGLASS		Daniel	RM	01/2025					

PLEASE NOTE: Due to the handmade nature of our products, individual measurements may vary from those listed. The provided dimensions are for reference only

All images are the intellectual property of Planters Unlimited. Reproduction in any form is strictly prohibitive without the express written permission of Planters Unlimited. All designs are property of Planters Unlimited.