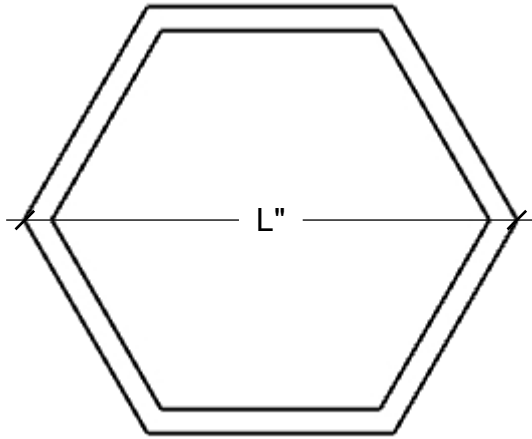
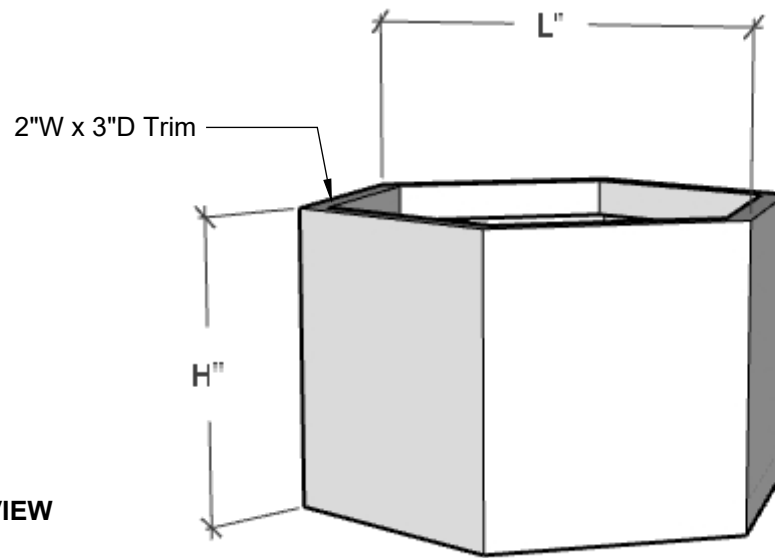


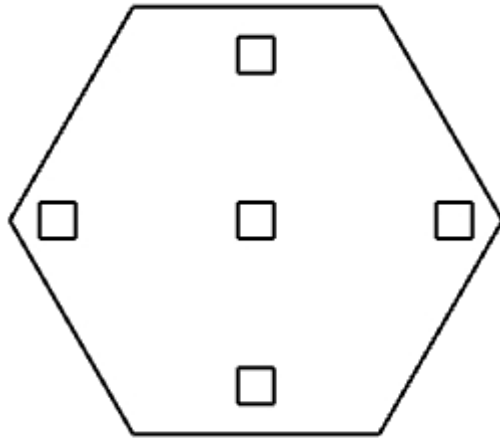
**TOP VIEW**



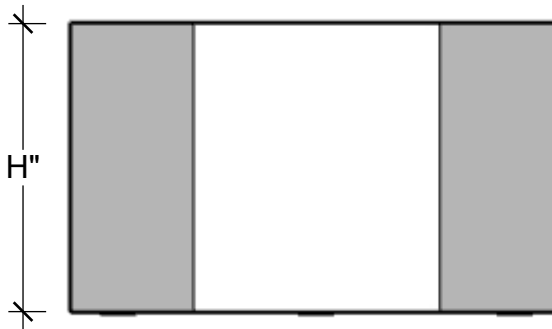
**PERSPECTIVE VIEW**



**BOTTOM VIEW**



**SIDE VIEW**



**PLANTERS**  
UNLIMITED

A Carlsbad Manufacturing Company

1 (888) 320-0626

www.plantersunlimited.com

**GENERAL NOTES**

STANDARD DRAINAGE: YES  NO

PRODUCT DESCRIPTION				SKU				PREPARED FOR	APPROVAL SIGNATURE
THE HEX PLANTER				F1-HEX					
DIMENSIONS	MATERIAL	COLOR / FINISH	REP	DB	DATE	REV	ORDER #	PROJECT / SIDEMARK / IF#	APPROVAL DATE
	FIBERGLASS		Daniel	RM	10/2024				

PLEASE NOTE: Due to the handmade nature of our products, individual measurements may vary from those listed. The provided dimensions are for reference only

All images are the intellectual property of Planters Unlimited. Reproduction in any form is strictly prohibitive without the express written permission of Planters Unlimited. All designs are property of Planters Unlimited.