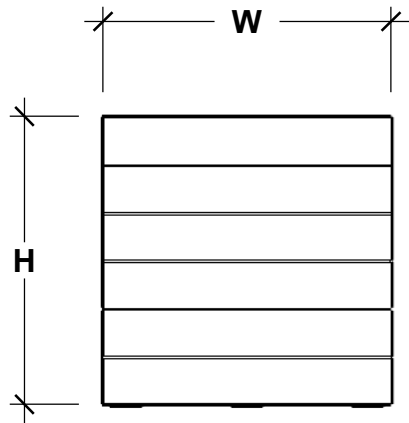
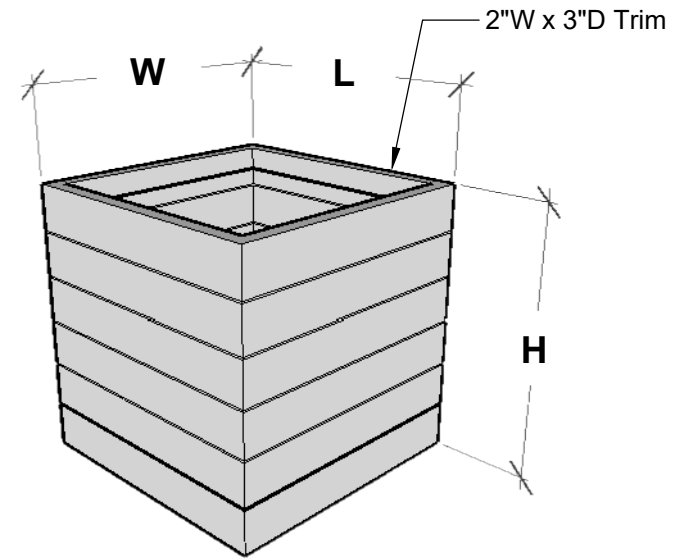


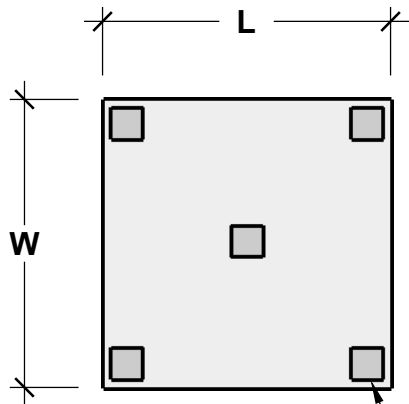
FRONT VIEW



PERSPECTIVE VIEW

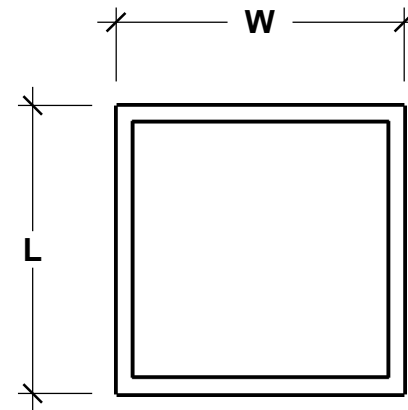


BOTTOM VIEW



Pads, 3"sq. x 1/8"thk
Offset 1" from edges

TOP VIEW



PLANTERS
UNLIMITED

A Carlsbad Manufacturing Company

1 (888) 320-0626

www.plantersunlimited.com

GENERAL NOTES

- STANDARD DRAINAGE: YES NO
- > Internal Stiffeners as needed
 - > 6" spacing each board

| PRODUCT DESCRIPTION | | | | SKU | | | | PREPARED FOR | | APPROVAL SIGNATURE |
|-----------------------|------------|----------------|-----|----------|------------|-----|---------|--------------------------|---------------|--------------------|
| MADERA SQUARE PLANTER | | | | F1-MAD-S | | | | - | | |
| DIMENSIONS | MATERIAL | COLOR / FINISH | REP | DB | DATE | REV | ORDER # | PROJECT / SIDEMARK / IF# | APPROVAL DATE | |
| - | Fiberglass | - | - | IG | 10/21/2024 | 1 | - | | | |

PLEASE NOTE: Due to the handmade nature of our products, individual measurements may vary from those listed. The provided dimensions are for reference only. All images are the intellectual property of Planters Unlimited. Reproduction in any form is strictly prohibitive without the express written permission of Planters Unlimited. All designs are property of Planters Unlimited.