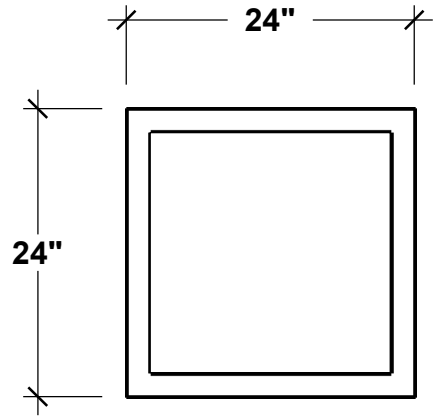
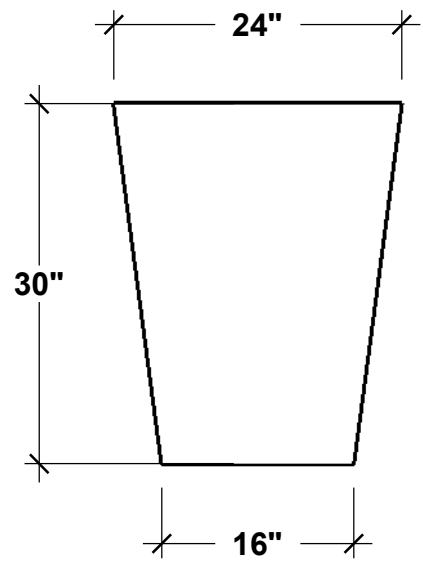


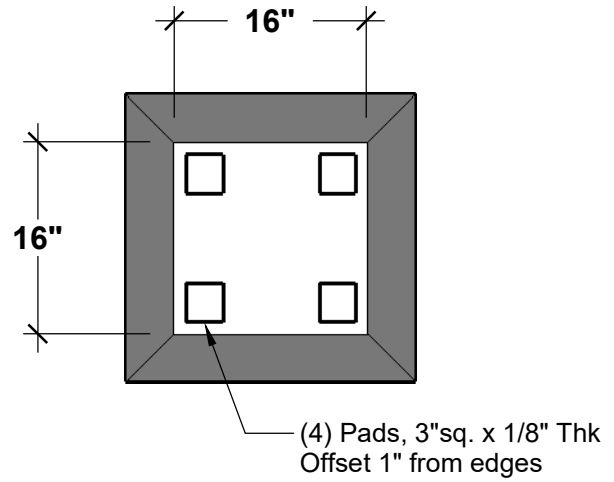
TOP VIEW



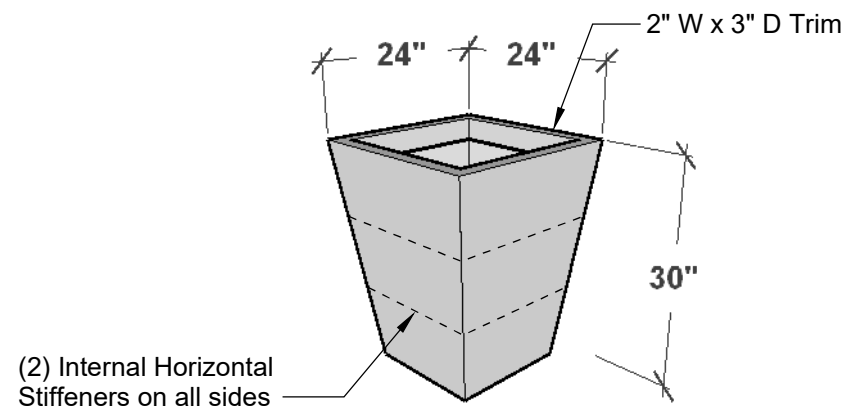
FRONT VIEW



BOTTOM VIEW



PERSPECTIVE VIEW



GENERAL NOTES

1. No Drainage Needed

CUSTOMER SIGNATURE

6056 Corte Del Cedro, Carlsbad CA 92011
1-888-320-0626/service@plantersunlimited.com
www.plantersunlimited.com

PRODUCT DESCRIPTION	SKU				ORDER NUMBER
MANHATTAN FIBERGLASS TAPERED SQUARE PLANTER	F1-MAN-TS2430-BL-M-ND				
DIMENSIONS	COLOR	FINISH	REP:	DB:	DATE
24"Sq. x 30"H	Black	Matte			