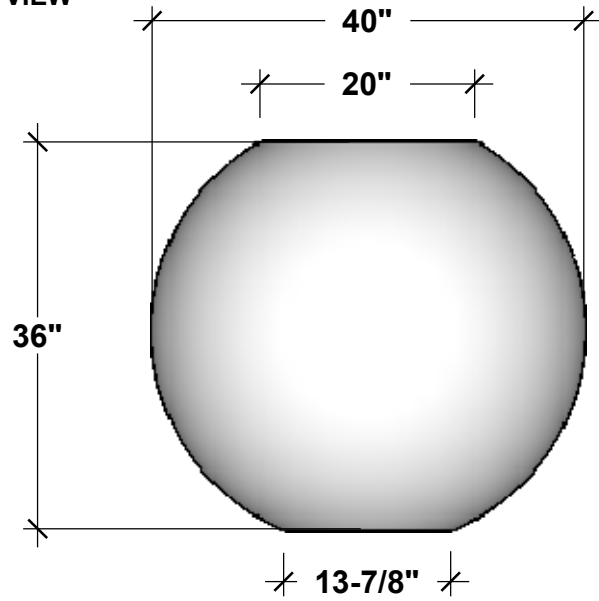
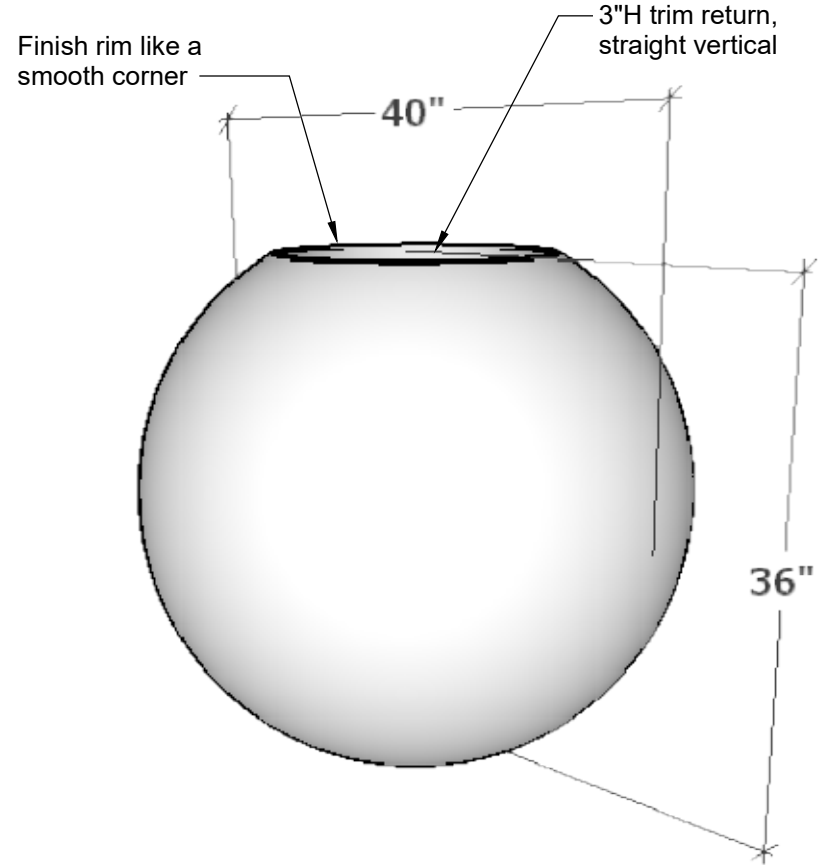


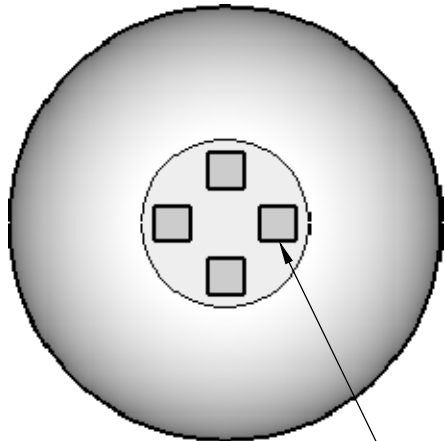
FRONT VIEW



PERSPECTIVE VIEW



BOTTOM VIEW



(4) Pads, 3"sq. x 1/8" thk
Offset 1" from edges

GENERAL NOTES	
STANDARD DRAINAGE: YES <input checked="" type="checkbox"/>	NO <input type="checkbox"/>

PLANTERS
UNLIMITED

A Carlsbad Manufacturing Company

1 (888) 320-0626

www.plantersunlimited.com

PRODUCT DESCRIPTION				SKU				PREPARED FOR		APPROVAL SIGNATURE
MIRO SPHERE PLANTER				F1-MIR-R4036-20-WH-M-DRG						
DIMENSIONS	MATERIAL	COLOR / FINISH	REP	DB	DATE	REV	ORDER #	PROJECT / SIDEMARK / IF#		APPROVAL DATE
40"Dia. x 36"H x 20"Opening	Fiberglass	White/Matte								

PLEASE NOTE: Due to the handmade nature of our products, individual measurements may vary from those listed. The provided dimensions are for reference only. All images are the intellectual property of Planters Unlimited. Reproduction in any form is strictly prohibitive without the express written permission of Planters Unlimited. All designs are property of Planters Unlimited.