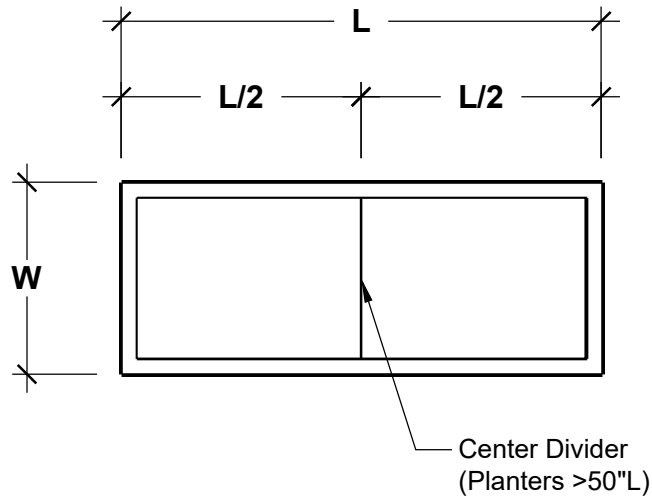
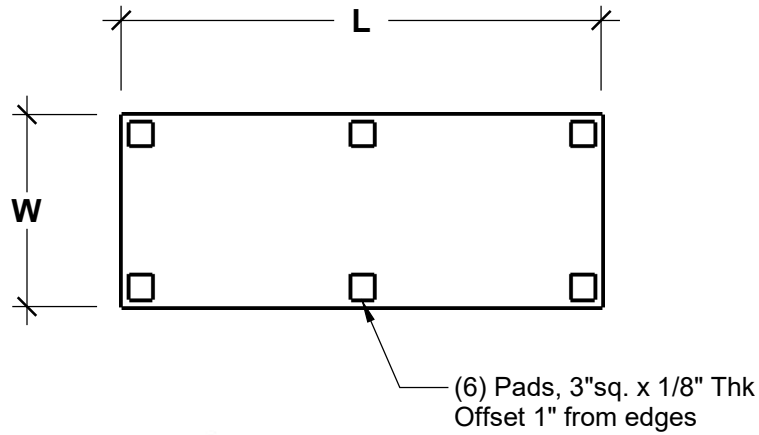


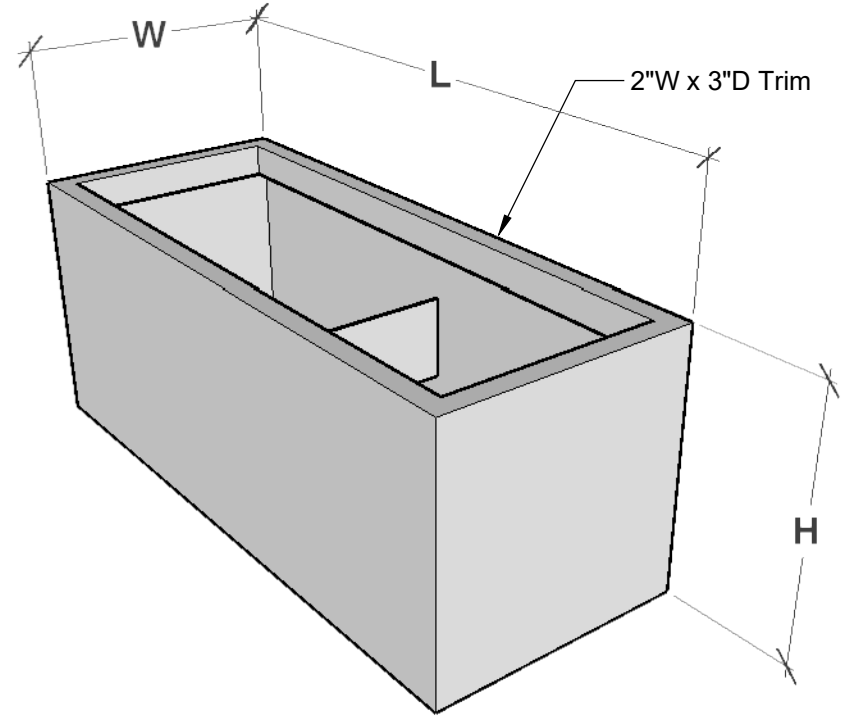
TOP VIEW



BOTTOM VIEW



PERSPECTIVE VIEW



PLANTERS
UNLIMITED
A CARLSBAD MANUFACTURING COMPANY

1 (888) 320-0626 | PlantersUnlimited.com

GENERAL NOTES	
STANDARD DRAINAGE: YES <input type="checkbox"/> NO <input type="checkbox"/>	
-Internal Stiffeners as Needed	

PRODUCT DESCRIPTION				SKU				PREPARED FOR		APPROVAL SIGNATURE
MODERN PLANTER				F1-MOD-REC				-		
DIMENSIONS	MATERIAL	COLOR / FINISH	REP	DB	DATE	REV	ORDER #	PROJECT / SIDEMARK / IF#		APPROVAL DATE
	Fiberglass		Daniel P.	IG	09/20/2024	1	N/A			