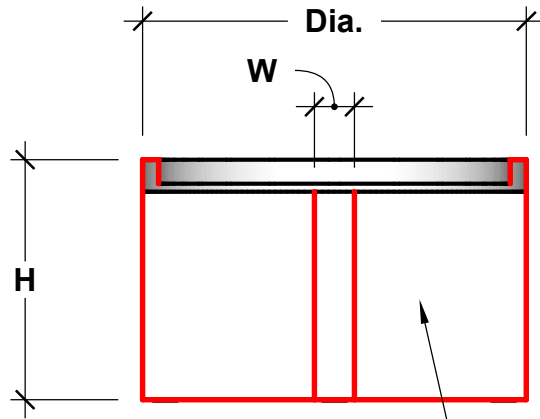
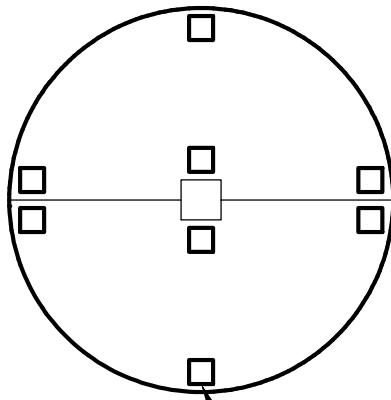


SECTION VIEW



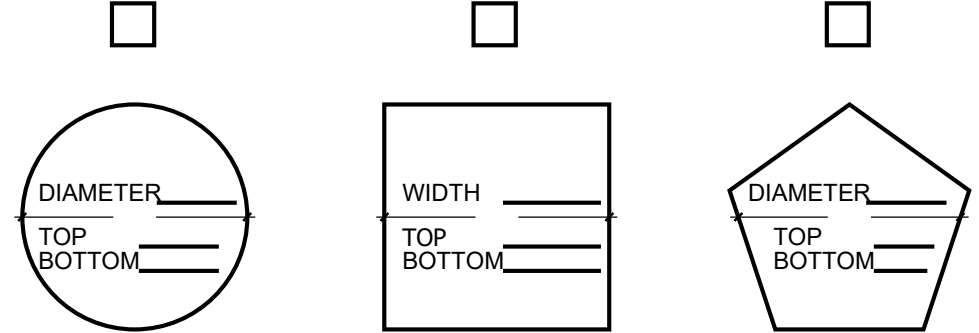
Made in two pieces to be assembled on site. Bolt through center dividers to attach

BOTTOM VIEW

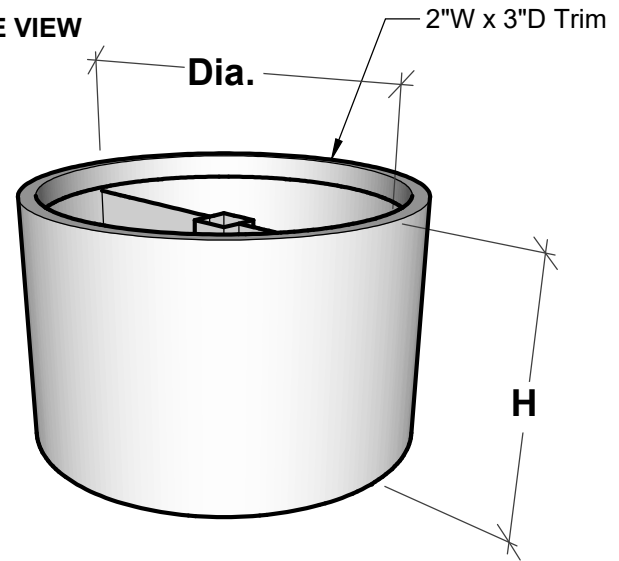


(8) Pads, 3"sq. x 1/8" thk
Offset 1" from edges

1. Check Post Shape
2. Tapered Post? YES / NO (Please Circle)



PERSPECTIVE VIEW



PLANTERS
UNLIMITED

A Carlsbad Manufacturing Company

1 (888) 320-0626

www.plantersunlimited.com

GENERAL NOTES

STANDARD DRAINAGE: YES NO

-Internal Stiffeners as Needed

PRODUCT DESCRIPTION				SKU				PREPARED FOR		APPROVAL SIGNATURE
MODERN ROUND POST PLANTER				F1-POS-R				-		
DIMENSIONS	MATERIAL	COLOR / FINISH	REP	DB	DATE	REV	ORDER #	PROJECT / SIDEMARK / IF#	APPROVAL DATE	
-	Fiberglass	-	-	IG	01/17/2025	1	-			

PLEASE NOTE: Due to the handmade nature of our products, individual measurements may vary from those listed. The provided dimensions are for reference only

All images are the intellectual property of Planters Unlimited. Reproduction in any form is strictly prohibitive without the express written permission of Planters Unlimited. All designs are property of Planters Unlimited.