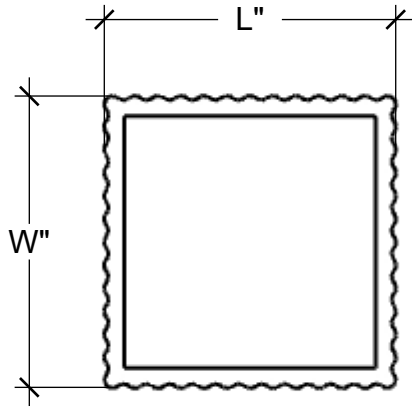
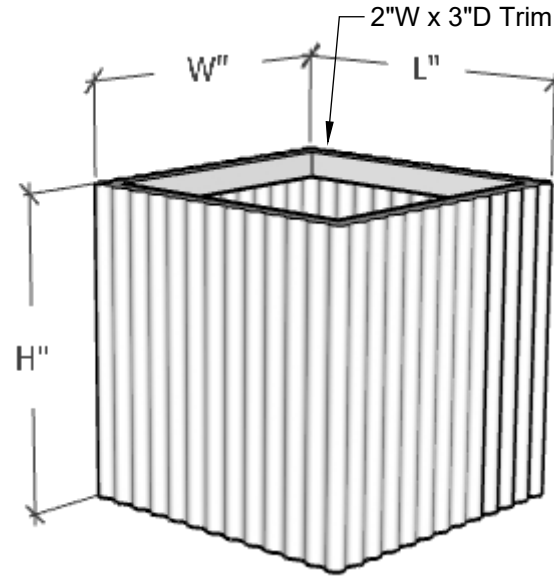


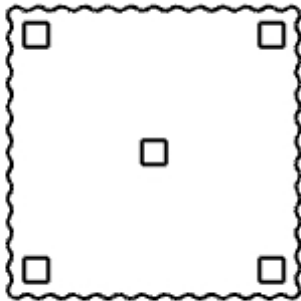
TOP VIEW



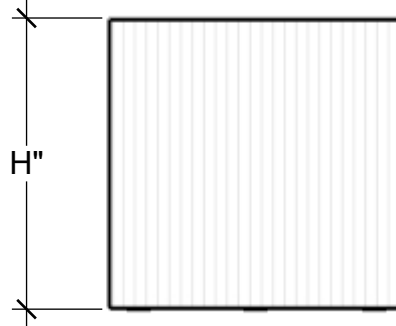
PERSPECTIVE VIEW



BOTTOM VIEW



SIDE VIEW



GENERAL NOTES

STANDARD DRAINAGE: YES NO

PLANTERS
UNLIMITED

A Carlsbad Manufacturing Company

1 (888) 320-0626

www.plantersunlimited.com

| PRODUCT DESCRIPTION | | | | SKU | | | | PREPARED FOR | APPROVAL SIGNATURE |
|-------------------------------------|------------|----------------|--------|-----------|---------|-----|---------|--------------------------|--------------------|
| RETRO RIDGE VERTICAL SQUARE PLANTER | | | | F1-RETV-S | | | | | |
| DIMENSIONS | MATERIAL | COLOR / FINISH | REP | DB | DATE | REV | ORDER # | PROJECT / SIDEMARK / IF# | APPROVAL DATE |
| | FIBERGLASS | | Daniel | RM | 10/2024 | | | | |

PLEASE NOTE: Due to the handmade nature of our products, individual measurements may vary from those listed. The provided dimensions are for reference only

All images are the intellectual property of Planters Unlimited. Reproduction in any form is strictly prohibitive without the express written permission of Planters Unlimited. All designs are property of Planters Unlimited.