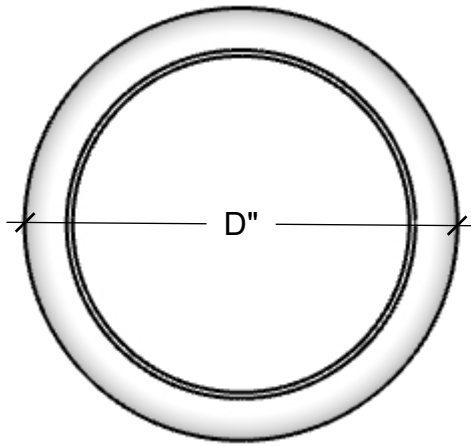
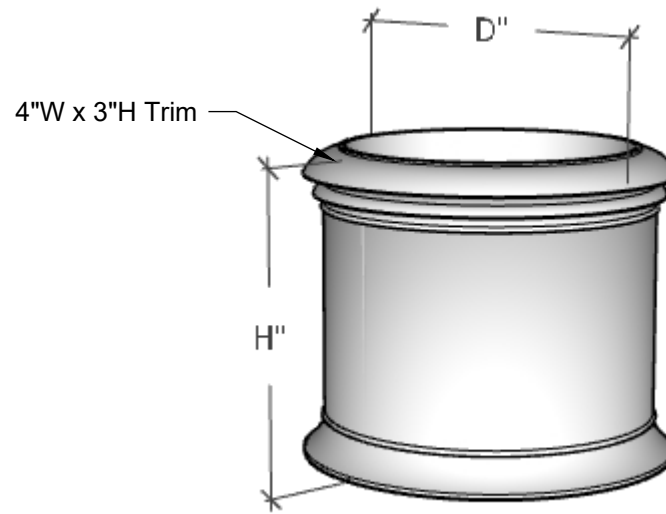


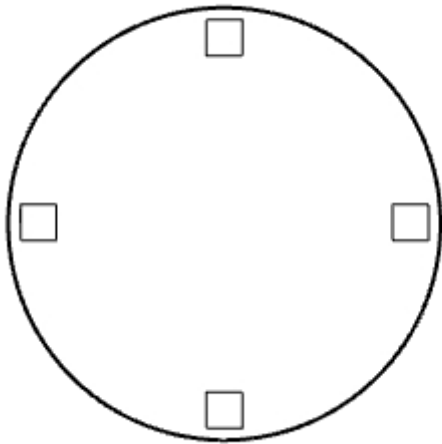
**TOP VIEW**



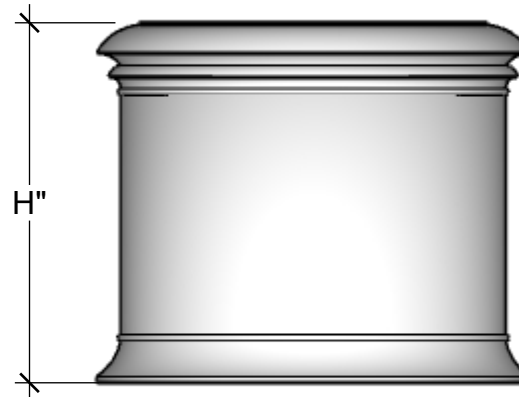
**PERSPECTIVE VIEW**



**BOTTOM VIEW**



**SIDE VIEW**



**PLANTERS**  
UNLIMITED

A Carlsbad Manufacturing Company

1 (888) 320-0626

www.plantersunlimited.com

**GENERAL NOTES**

STANDARD DRAINAGE: YES  NO

| PRODUCT DESCRIPTION   |            |                |        | SKU      |         |     |         | PREPARED FOR             | APPROVAL SIGNATURE |
|-----------------------|------------|----------------|--------|----------|---------|-----|---------|--------------------------|--------------------|
| SOLERNO ROUND PLANTER |            |                |        | F1-SOL-R |         |     |         |                          |                    |
| DIMENSIONS            | MATERIAL   | COLOR / FINISH | REP    | DB       | DATE    | REV | ORDER # | PROJECT / SIDEMARK / IF# | APPROVAL DATE      |
|                       | FIBERGLASS |                | Daniel | RM       | 10/2024 |     |         |                          |                    |

PLEASE NOTE: Due to the handmade nature of our products, individual measurements may vary from those listed. The provided dimensions are for reference only. All images are the intellectual property of Planters Unlimited. Reproduction in any form is strictly prohibitive without the express written permission of Planters Unlimited. All designs are property of Planters Unlimited.