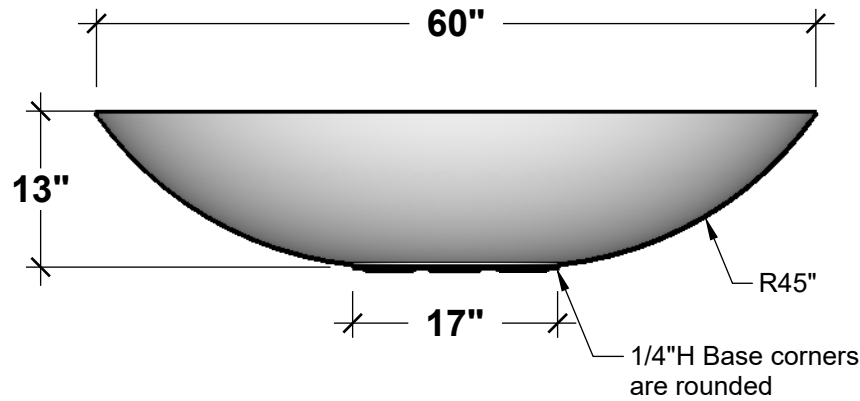
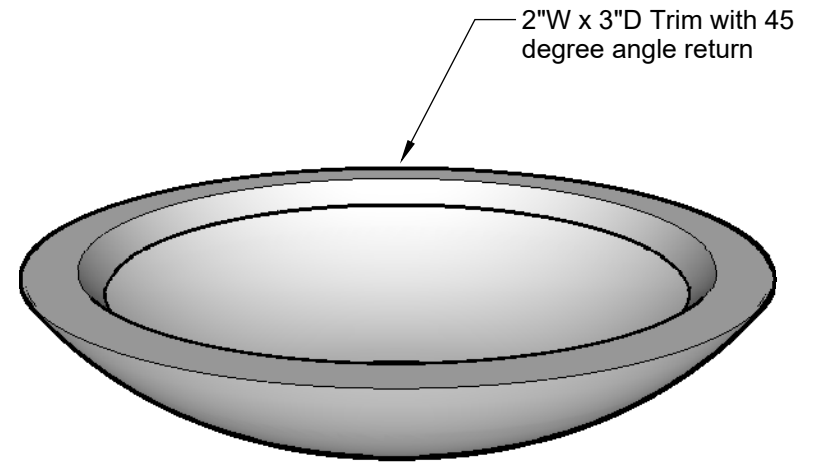


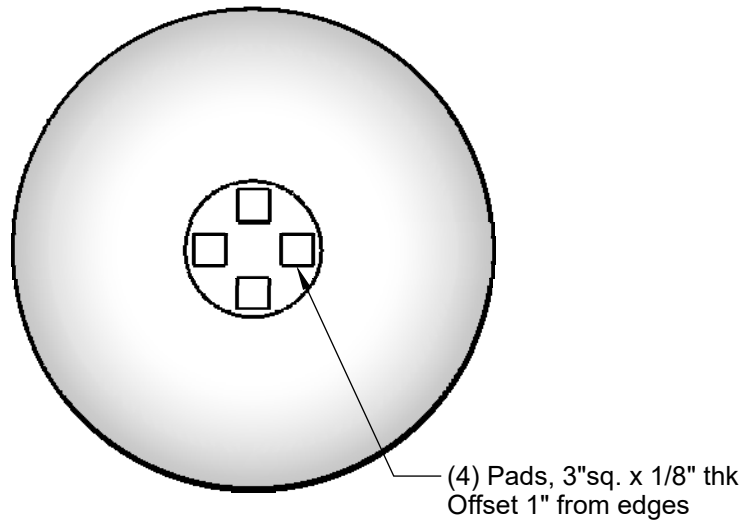
ELEVATION VIEW



PERSPECTIVE VIEW



BOTTOM VIEW



GENERAL NOTES

1. Standard Drainage Needed
2. Drainage will be added next to pads.

CUSTOMER SIGNATURE



6056 Corte Del Cedro, Carlsbad CA 92011
1-888-320-0626/service@plantersunlimited.com
www.plantersunlimited.com

PRODUCT DESCRIPTION	SKU				ORDER NUMBER
Modern Fiberglass Low Bowl Planter	F1-MOD-LB6013-KH-M-DRG				
DIMENSIONS	COLOR	FINISH	REP:	DB:	DATE
60" Dia. x 13"H	Khaki	Matte			

