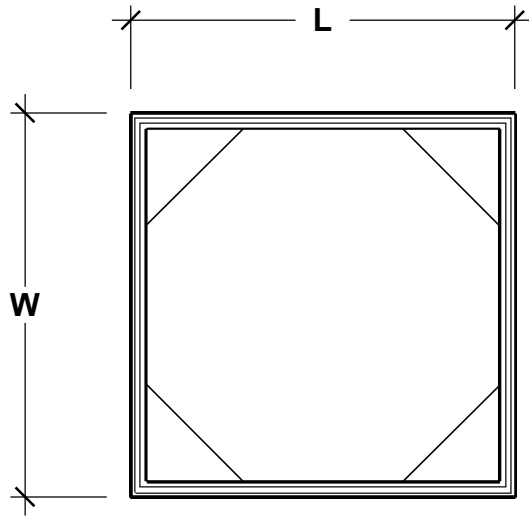
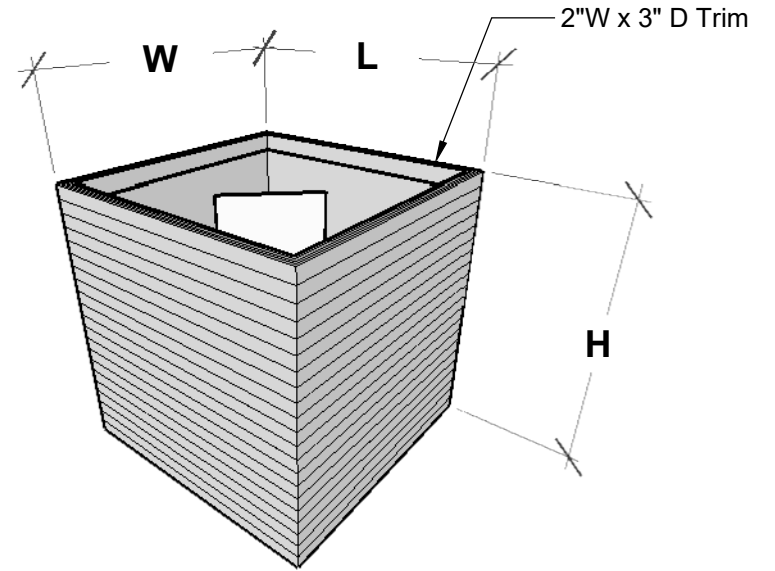


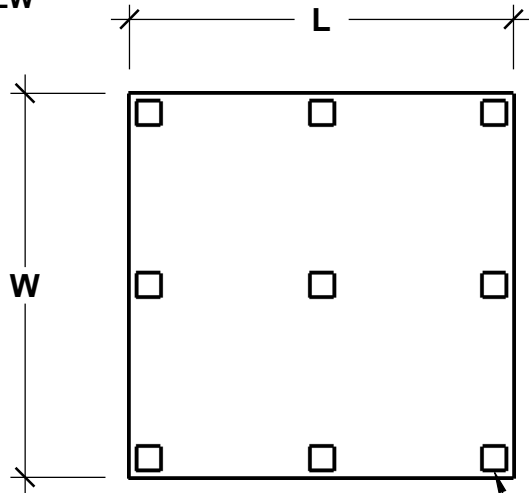
TOP VIEW



PERSPECTIVE VIEW

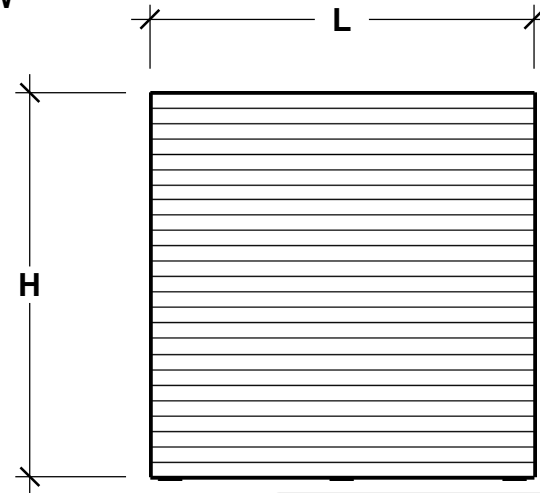


BOTTOM VIEW



Pads, 3"sq. x 1/8"thk
Offset 1" from edges

FRONT VIEW



PLANTERS
UNLIMITED

A Carlsbad Manufacturing Company

1 (888) 320-0626

www.plantersunlimited.com

GENERAL NOTES

STANDARD DRAINAGE: YES NO

Internal Stiffeners as needed
Diagonal support >42"

PRODUCT DESCRIPTION				SKU				PREPARED FOR		APPROVAL SIGNATURE
STRATO SQUARE PLANTER				P48-S-FS				-		
DIMENSIONS	MATERIAL	COLOR / FINISH	REP	DB	DATE	REV	ORDER #	PROJECT / SIDEMARK / IF#	APPROVAL DATE	
-	Fiberstone	-	-	IG	10/28/2024	3	-			

PLEASE NOTE: Due to the handmade nature of our products, individual measurements may vary from those listed. The provided dimensions are for reference only

All images are the intellectual property of Planters Unlimited. Reproduction in any form is strictly prohibitive without the express written permission of Planters Unlimited. All designs are property of Planters Unlimited.