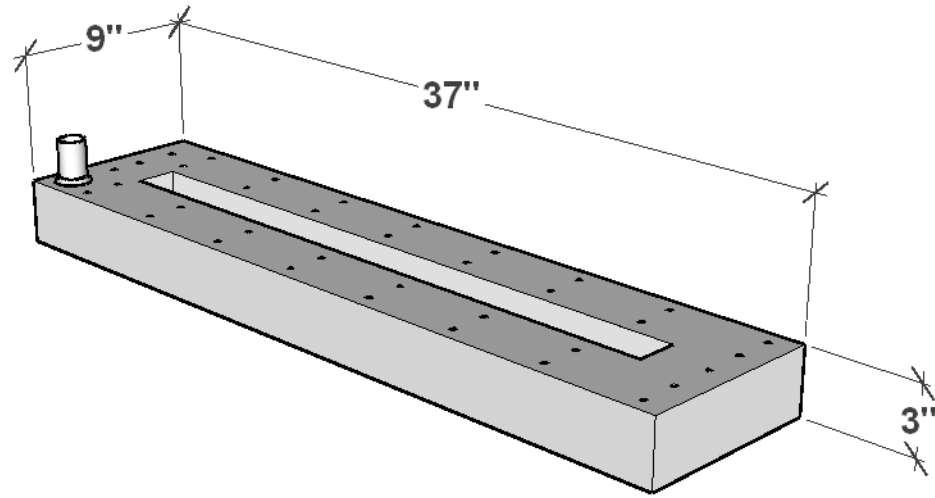


**PERSPECTIVE VIEW**



**PLANTERS**  
**UNLIMITED**  
 A CARLSBAD MANUFACTURING COMPANY

1 (888) 320-0626 | [PlantersUnlimited.com](http://PlantersUnlimited.com)

| GENERAL NOTES   |  |
|---|--|
| STANDARD DRAINAGE: YES <input type="checkbox"/> NO <input type="checkbox"/> |  |

| PRODUCT DESCRIPTION                |          |                |     | SKU         |            |     |         | PREPARED FOR             |  | APPROVAL SIGNATURE |
|------------------------------------|----------|----------------|-----|-------------|------------|-----|---------|--------------------------|--|--------------------|
| Rectangular Planter Well Reservoir |          |                |     | WW-REC-3793 |            |     |         | -                        |  |                    |
| DIMENSIONS                         | MATERIAL | COLOR / FINISH | REP | DB          | DATE       | REV | ORDER # | PROJECT / SIDEMARK / IF# |  | APPROVAL DATE      |
| 37" x 9" x 3"H                     | -        | N/A            | N/A | IG          | 09/20/2024 | 1   | N/A     |                          |  |                    |