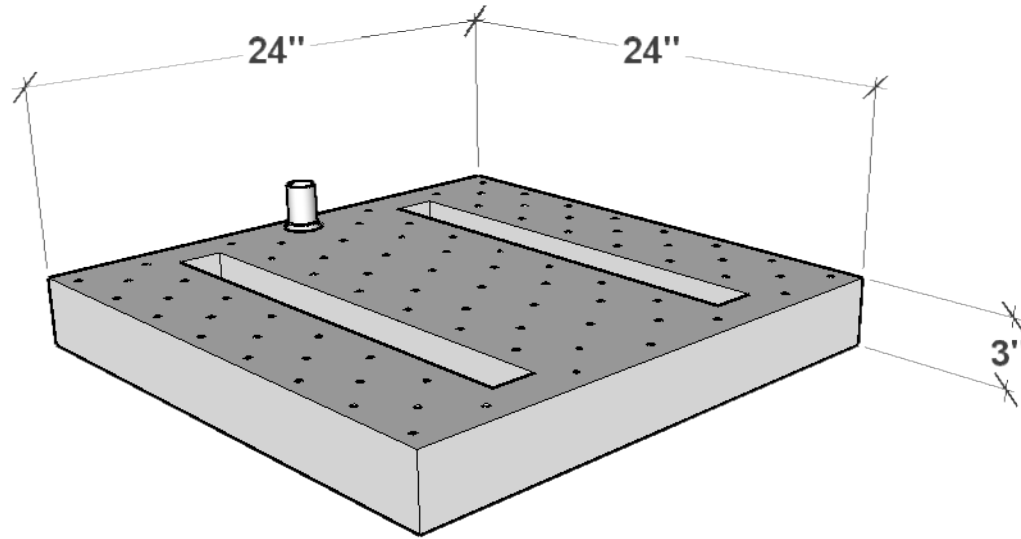


**PERSPECTIVE VIEW**



**PLANTERS**  
**UNLIMITED**  
 A CARLSBAD MANUFACTURING COMPANY

1 (888) 320-0626 | PlantersUnlimited.com

GENERAL NOTES	
STANDARD DRAINAGE: YES <input type="checkbox"/>	NO <input type="checkbox"/>

PRODUCT DESCRIPTION				SKU				PREPARED FOR	APPROVAL SIGNATURE
Square Reservoir				WW-SQUARE-24				-	
DIMENSIONS	MATERIAL	COLOR / FINISH	REP	DB	DATE	REV	ORDER #	PROJECT / SIDEMARK / IF#	APPROVAL DATE
24"sq.	-	N/A	N/A	IG	09/20/2024	1	N/A		