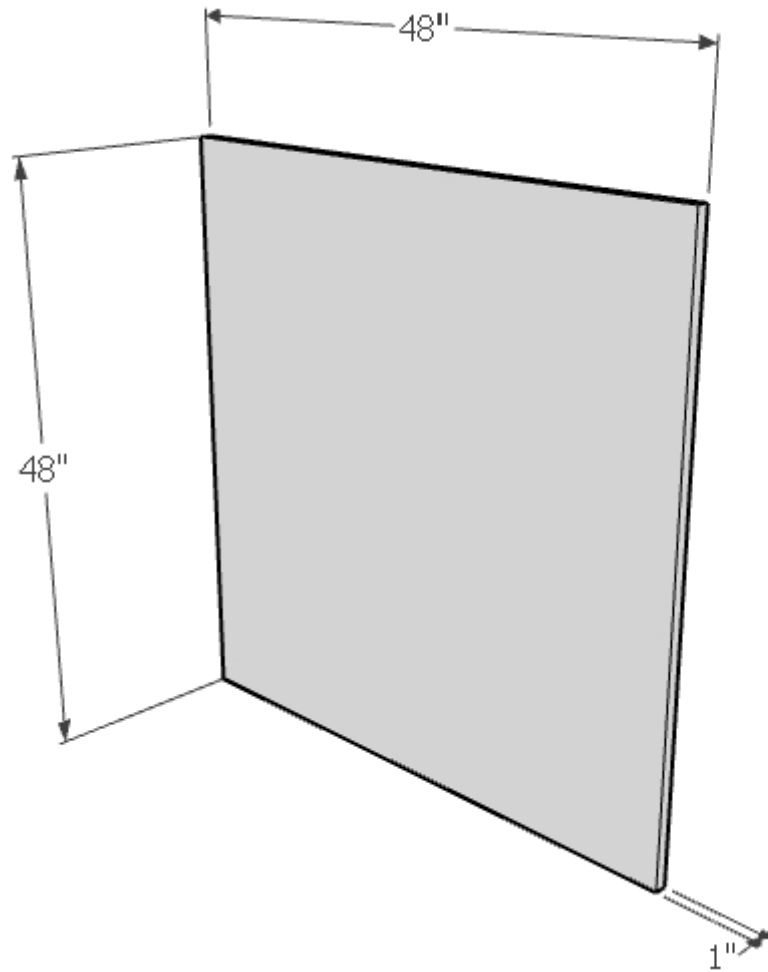
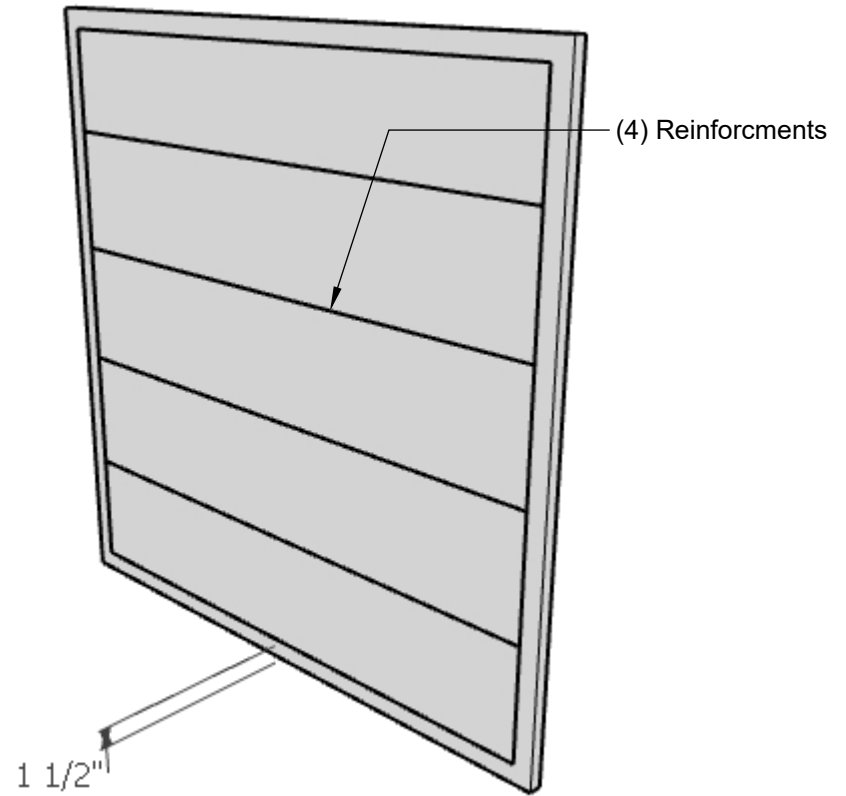


**PERSPECTIVE VIEW**



**BACK PERSPECTIVE VIEW**



GENERAL NOTES
1. Hanging Cleat System Top and Bottom

**PLANTERS**  
UNLIMITED

A Carlsbad Manufacturing Company

1 (888) 320-0626

www.plantersunlimited.com

PRODUCT DESCRIPTION				SKU				PREPARED FOR		APPROVAL SIGNATURE
Fiberstone Designer Wall Panel				C19-PAN-4848-SAV-FS						
DIMENSIONS	MATERIAL	COLOR / FINISH	REP	DB	DATE	REV	ORDER #	PROJECT / SIDEMARK / IF#		APPROVAL DATE
48" x 48"	FIBERSTONE	Savoy	Gordana	RM	08/2024	-	WO1010910			

PLEASE NOTE: Due to the handmade nature of our products, individual measurements may vary from those listed. The provided dimensions are for reference only

All images are the intellectual property of Planters Unlimited. Reproduction in any form is strictly prohibitive without the express written permission of Planters Unlimited. All designs are property of Planters Unlimited.