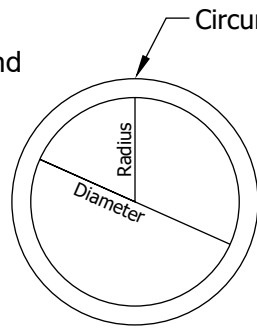
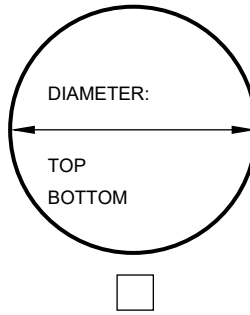


Circumference is measured around the edge of the post

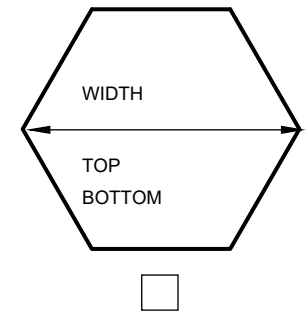
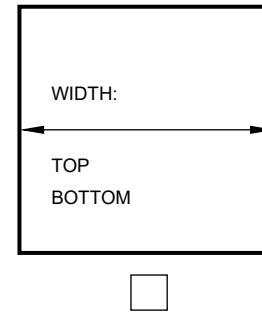
If your post is a different shape than shown on this drawing, please note the shape and diameter her:



**CHECK POST SHAPE**



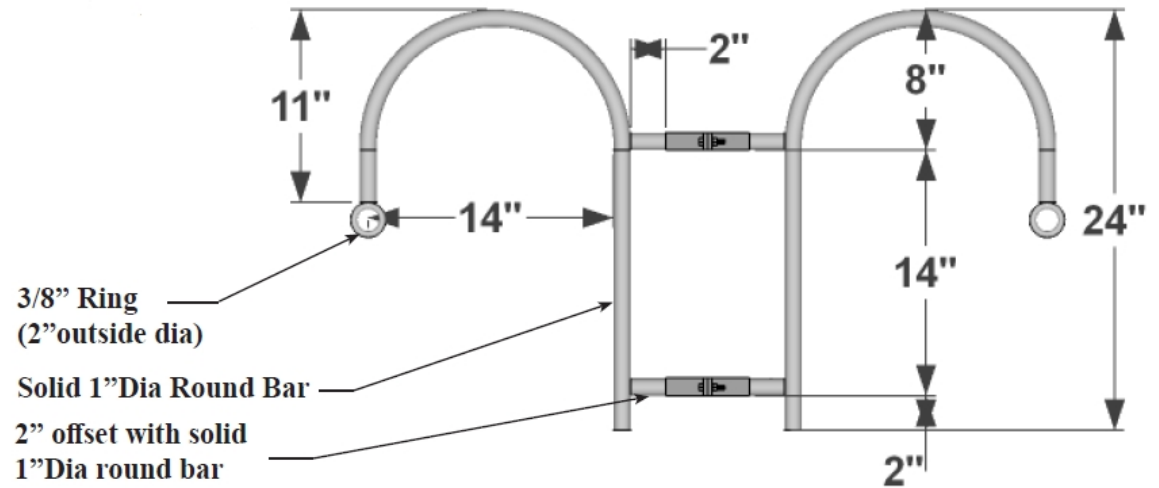
**TAPERED POST? YES / NO (Please Circle)**



Bracket Clamps may differ in shape than your post. They are designed to use tension to stay in place

**\*PLEASE MEASURE AT THE HEIGHT/LOCATION THE BRACKET WILL BE MOUNTED ON POST\***

Available Standard Brackets for Pole Sizes:
3" Dia.
4" Dia.
5" Dia.
6" Dia.
3" Sq.
4" Sq.
5" Sq.
6" Sq.
3" Octagonal
4" Octagonal
5" Octagonal
6" Octagonal



GENERAL NOTES

**PLANTERS**  
UNLIMITED

A Carlsbad Manufacturing Company

1 (888) 320-0626

www.plantersunlimited.com

PRODUCT DESCRIPTION				SKU				PREPARED FOR		APPROVAL SIGNATURE
TWO-WAY HOOK STYLE HANGING BRACKET				301HB-2WSET				-		
DIMENSIONS	MATERIAL	COLOR / FINISH	REP	DB	DATE	REV	ORDER #	PROJECT / SIDEMARK / IF#		APPROVAL DATE
-	-	-	-	IG	02/11/2025	1	-			

PLEASE NOTE: Due to the handmade nature of our products, individual measurements may vary from those listed. The provided dimensions are for reference only. All images are the intellectual property of Planters Unlimited. Reproduction in any form is strictly prohibitive without the express written permission of Planters Unlimited. All designs are property of Planters Unlimited.