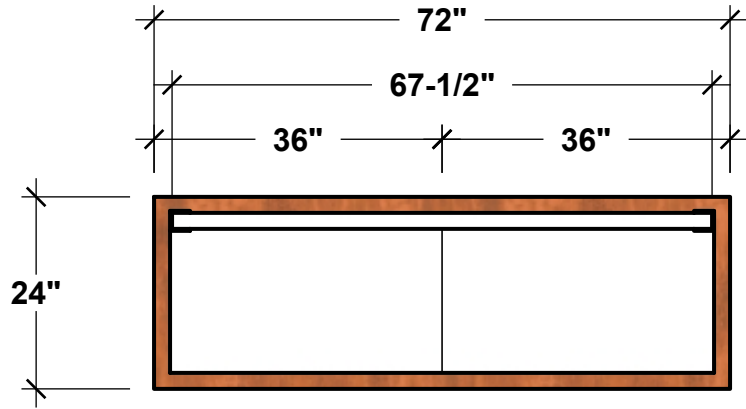
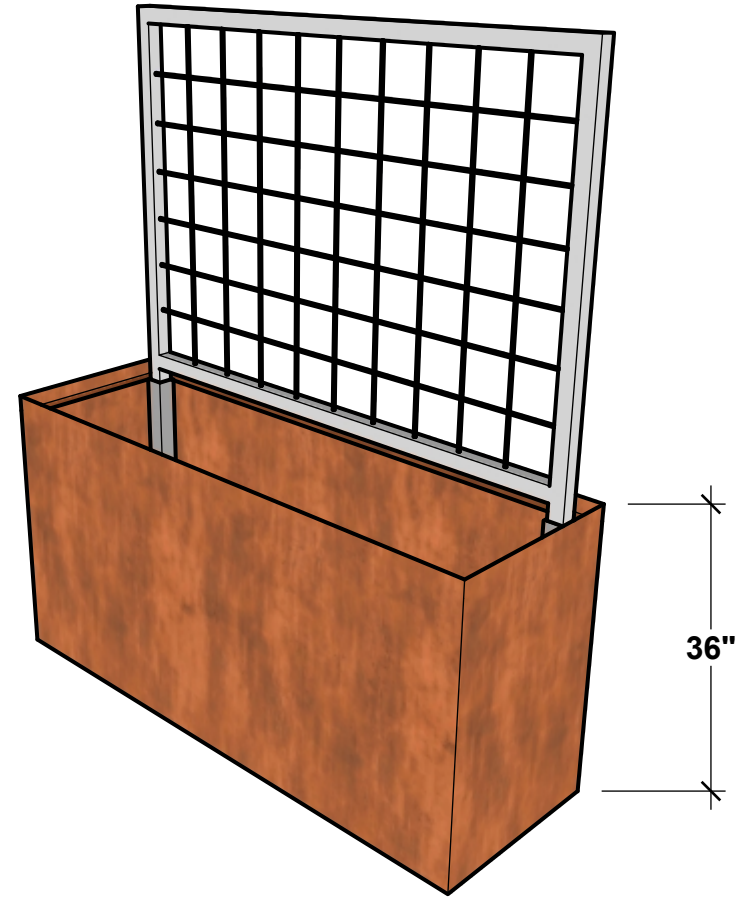


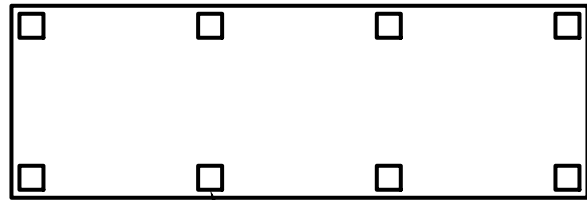
TOP VIEW



PERSPECTIVE VIEW



BOTTOM VIEW



(8) Pads, 3"sq. x 1/8" Thk
Offset 1" from edges

PLANTERS
UNLIMITED

A Carlsbad Manufacturing Company

1 (888) 320-0626

www.plantersunlimited.com

GENERAL NOTES

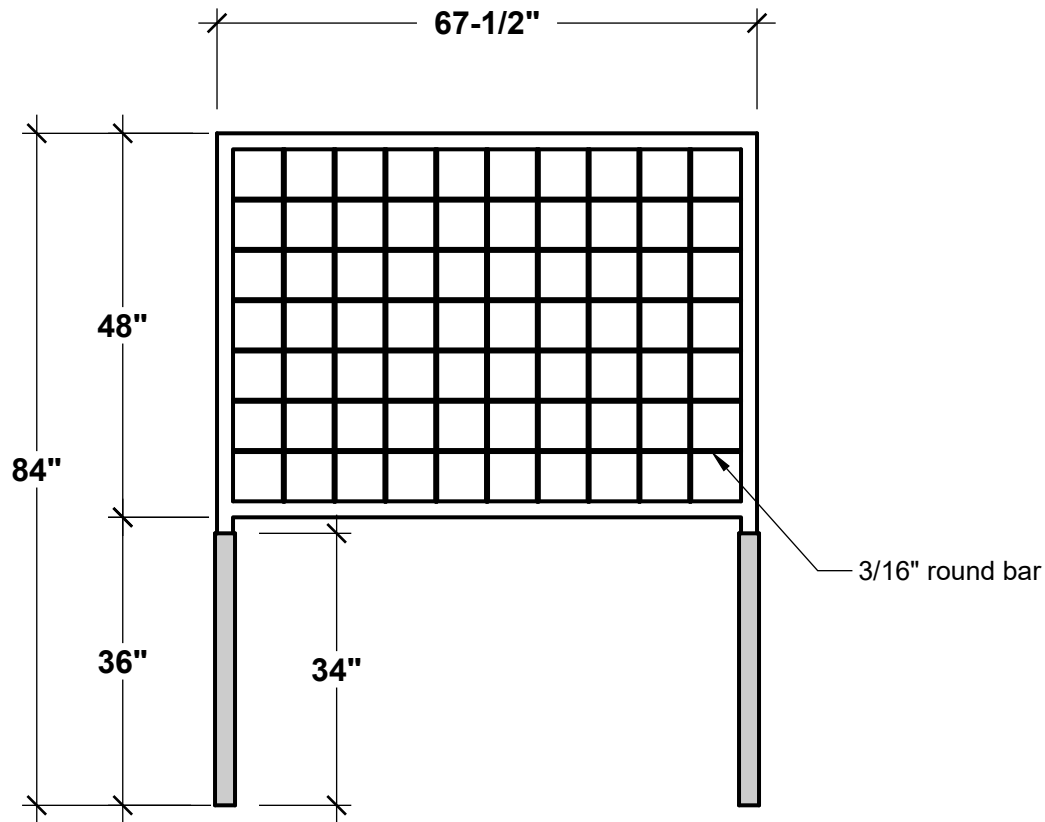
STANDARD DRAINAGE: YES NO

-Internal Stiffeners as Needed
-Center Divider as Needed

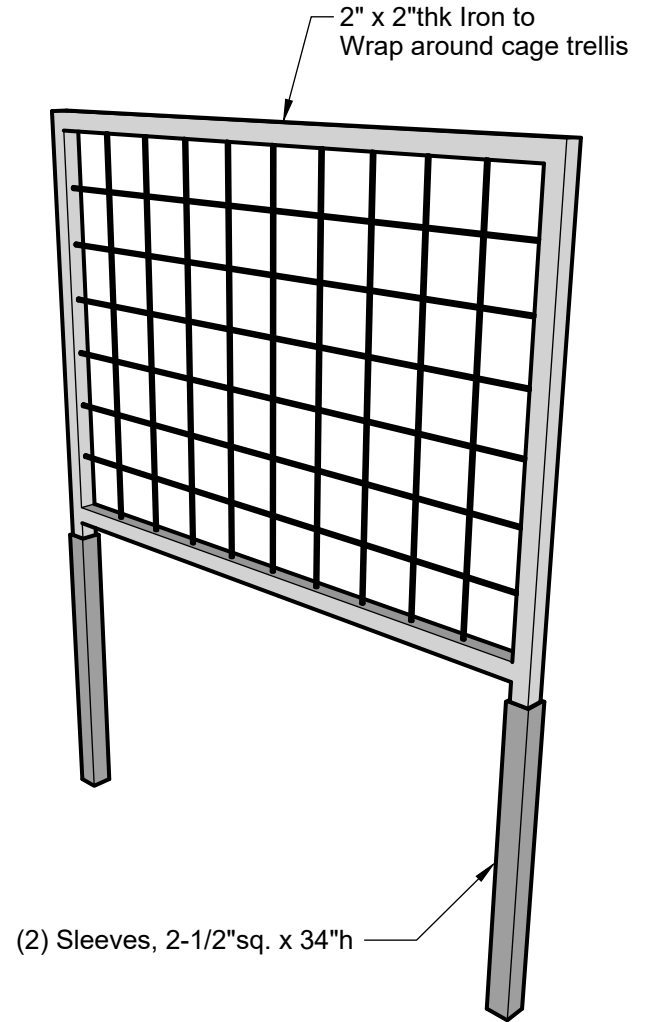
PRODUCT DESCRIPTION				SKU				PREPARED FOR	APPROVAL SIGNATURE
Modern Corten Steel Planter w/Trellis				SP-REC722436-CS-OM-TRE48-DRG				-	
DIMENSIONS	MATERIAL	COLOR / FINISH	REP	DB	DATE	REV	ORDER #	PROJECT / SIDEMARK / IF#	APPROVAL DATE
72" x 24" x 36"h	Corten Steel	TBD	Cressa M.	IG	03/20/2025	1	WO1014793		

PLEASE NOTE: Due to the handmade nature of our products, individual measurements may vary from those listed. The provided dimensions are for reference only. All images are the intellectual property of Planters Unlimited. Reproduction in any form is strictly prohibitive without the express written permission of Planters Unlimited. All designs are property of Planters Unlimited.

FRONT VIEW



PERSPECTIVE VIEW



PLANTERS
UNLIMITED

A Carlsbad Manufacturing Company

1 (888) 320-0626

www.plantersunlimited.com

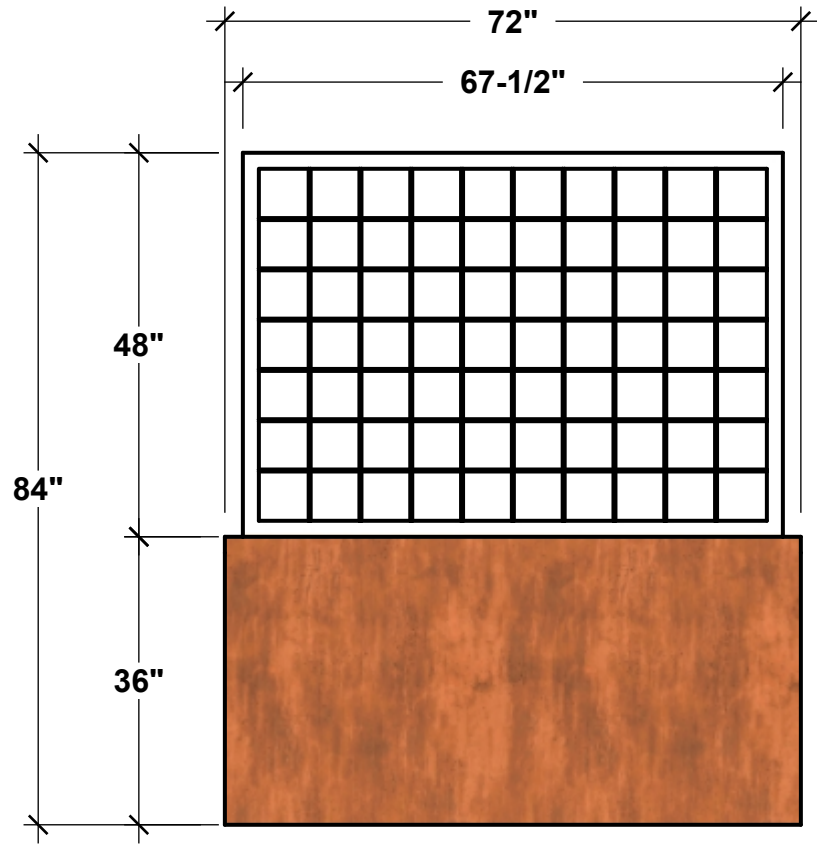
GENERAL NOTES

STANDARD DRAINAGE: YES NO

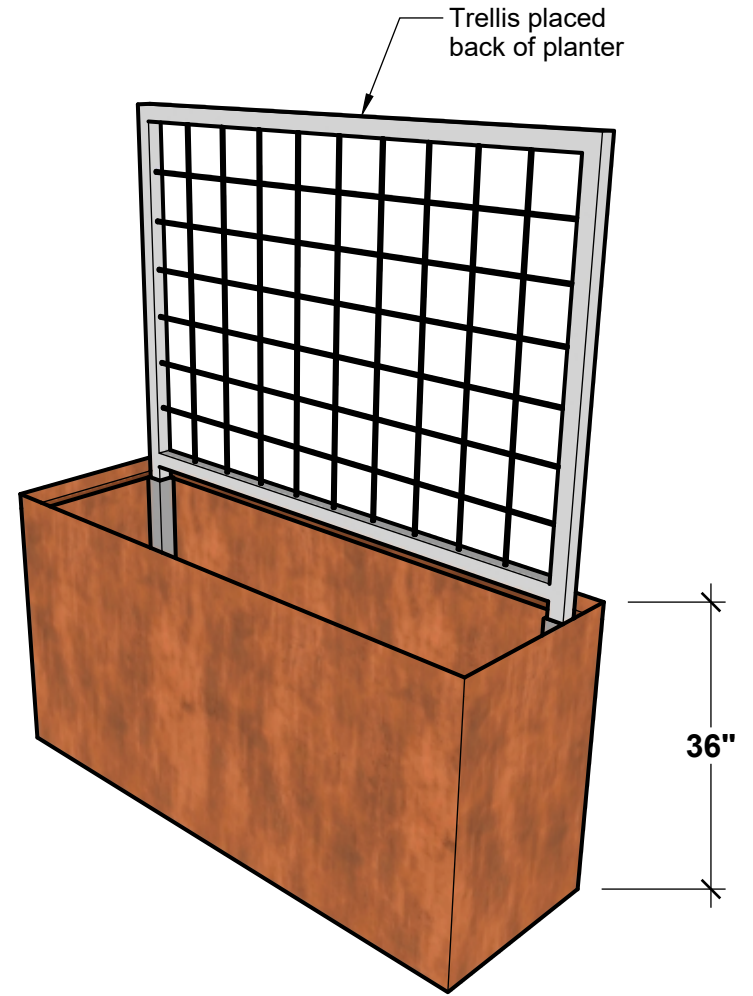
PRODUCT DESCRIPTION				SKU				PREPARED FOR		APPROVAL SIGNATURE
Modern Corten Steel Planter w/Trellis				SP-REC722436-CS-OM-TRE48-DRG				-		
DIMENSIONS	MATERIAL	COLOR / FINISH	REP	DB	DATE	REV	ORDER #	PROJECT / SIDEMARK / IF#		APPROVAL DATE
72" x 24" x 36"h	Corten Steel	TBD	Cressa M.	IG	03/20/2025	1	WO1014793			

PLEASE NOTE: Due to the handmade nature of our products, individual measurements may vary from those listed. The provided dimensions are for reference only. All images are the intellectual property of Planters Unlimited. Reproduction in any form is strictly prohibitive without the express written permission of Planters Unlimited. All designs are property of Planters Unlimited.

FRONT VIEW



PERSPECTIVE VIEW



PLANTERS
UNLIMITED

A Carlsbad Manufacturing Company

1 (888) 320-0626

www.plantersunlimited.com

GENERAL NOTES

STANDARD DRAINAGE: YES NO

-Internal Stiffeners as Needed
-Center Divider as Needed

PRODUCT DESCRIPTION				SKU				PREPARED FOR	APPROVAL SIGNATURE
Modern Corten Steel Planter w/Trellis				SP-REC722436-CS-OM-TRE48-DRG				-	
DIMENSIONS	MATERIAL	COLOR / FINISH	REP	DB	DATE	REV	ORDER #	PROJECT / SIDEMARK / IF#	APPROVAL DATE
72" x 24" x 36"h	Corten Steel	TBD	Cressa M.	IG	03/20/2025	1	WO1014793		

PLEASE NOTE: Due to the handmade nature of our products, individual measurements may vary from those listed. The provided dimensions are for reference only. All images are the intellectual property of Planters Unlimited. Reproduction in any form is strictly prohibitive without the express written permission of Planters Unlimited. All designs are property of Planters Unlimited.