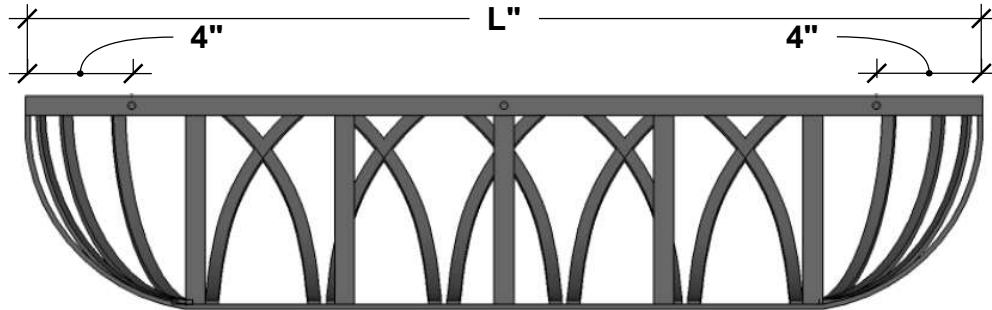
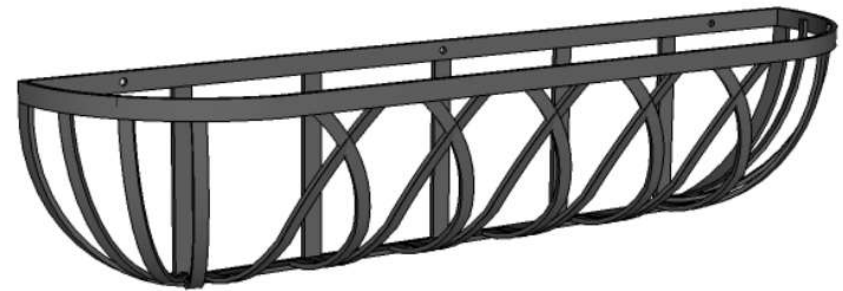


**BACK VIEW**

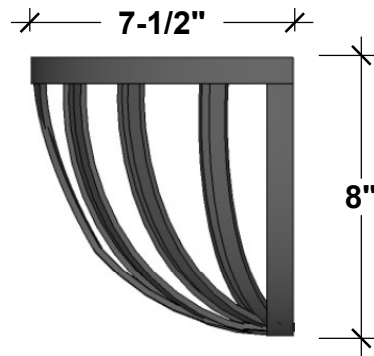


**PERSPECTIVE VIEW**



Size
24"
30"
36"
42"
48"
60"
72"

**SIDE VIEW**



**PLANTERS**  
UNLIMITED

A Carlsbad Manufacturing Company

1 (888) 320-0626

www.plantersunlimited.com

**GENERAL NOTES**

1. Frame and Back vertical supports are 0.75" x 0.1875" Flat Bar
2. Front Supports: 0.5" W x 0.1875" Thk Flat Bar
3. Back Vertical Supports are 6" apart on center
4. Comes with Coco Liner
5. Scrolls not Included in LxWxH Dimensions
6. Scrolls: 3" Diameter (Adds Approximately 6" to Overall L. 3" to W)

PRODUCT DESCRIPTION				SKU				PREPARED FOR		APPROVAL SIGNATURE
ARCH HAYRACK WINDOW BOX				506B						
DIMENSIONS	MATERIAL	COLOR / FINISH	REP	DB	DATE	REV	ORDER #	PROJECT / SIDEMARK / IF#		APPROVAL DATE
			Daniel	RM	03/2025					

PLEASE NOTE: Due to the handmade nature of our products, individual measurements may vary from those listed. The provided dimensions are for reference only

All images are the intellectual property of Planters Unlimited. Reproduction in any form is strictly prohibitive without the express written permission of Planters Unlimited. All designs are property of Planters Unlimited.