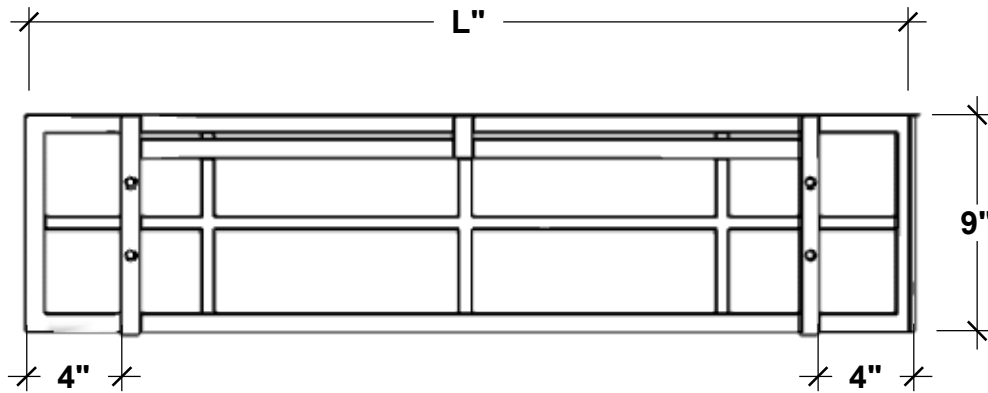
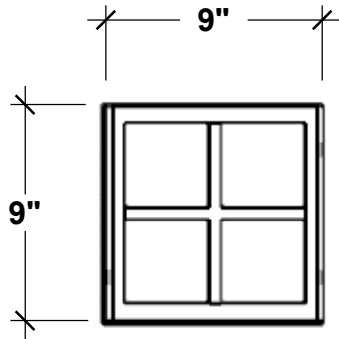


**BACK VIEW**

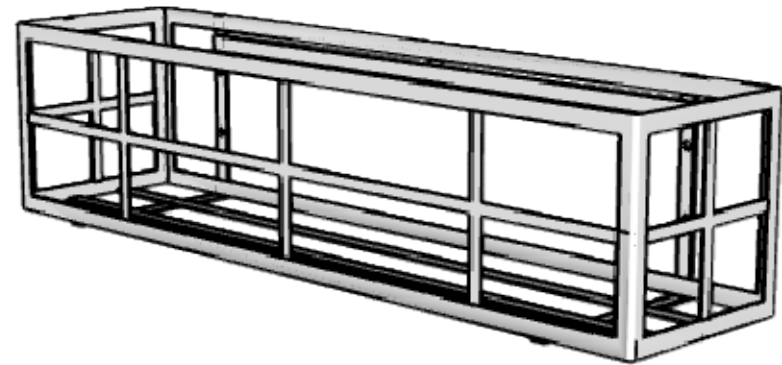


Size	Actual Dimensions of Liner Fitment
24"	25"L x 9"W by 9"H
30"	31"L x 9"W by 9"H
36"	37"L x 9"W by 9"H
42"	43"L x 9"W by 9"H
48"	49"L x 9"W by 9"H
60"	61"L x 9"W by 9"H
72"	73"L x 9"W by 9"H

**SIDE VIEW**



**PERSPECTIVE VIEW**



**PLANTERS**  
UNLIMITED

A Carlsbad Manufacturing Company

1 (888) 320-0626

www.plantersunlimited.com

**GENERAL NOTES**

- Two rows of rectangles on the front to be evenly spaced across length and height of windowbox.
- Design on ends to be evenly divided between length and height of windowbox
- Design to be fabricated with 1/2" flat bar
- Cage frame and supports fabricated with 3/4" x 1/8" Flat bar.
- Mounting Holes 0.28" dia. (7mm)

PRODUCT DESCRIPTION				SKU				PREPARED FOR		APPROVAL SIGNATURE
SIMPLE ELEGANCE WINDOW BOX				547C						
DIMENSIONS	MATERIAL	COLOR / FINISH	REP	DB	DATE	REV	ORDER #	PROJECT / SIDEMARK / IF#		APPROVAL DATE
			Daniel	RM	03/2025					

PLEASE NOTE: Due to the handmade nature of our products, individual measurements may vary from those listed. The provided dimensions are for reference only

All images are the intellectual property of Planters Unlimited. Reproduction in any form is strictly prohibitive without the express written permission of Planters Unlimited. All designs are property of Planters Unlimited.