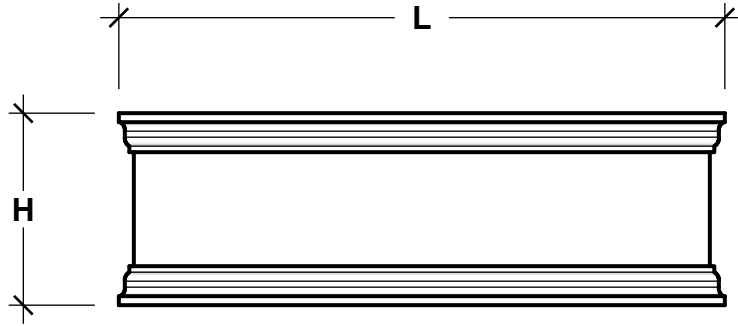
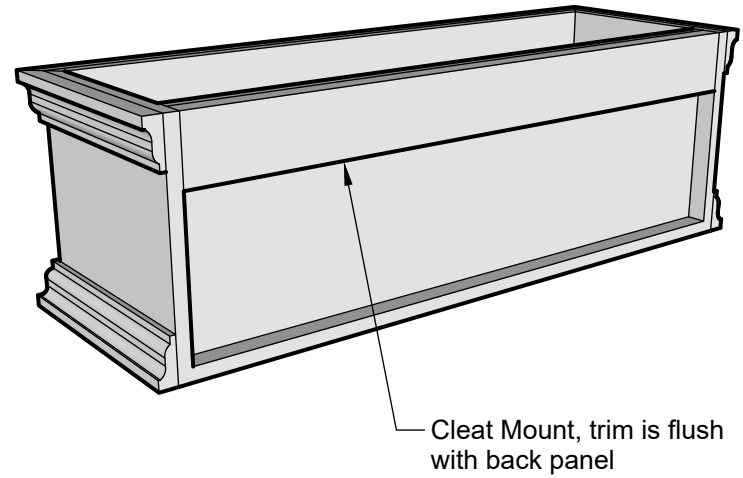


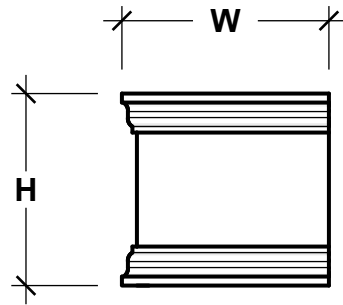
FRONT VIEW



PERSPECTIVE VIEW



SIDE VIEW



PLANTERS
UNLIMITED

A Carlsbad Manufacturing Company

1 (888) 320-0626

www.plantersunlimited.com

GENERAL NOTES

STANDARD DRAINAGE: YES NO

-3"H x 3/4" Thk Cleat Mount, trim is flush with back panel
- The Window box is made of 1/2" thick PVC. Trim adds 1-1/4" to length and 5/8" to width

PRODUCT DESCRIPTION				SKU				PREPARED FOR		APPROVAL SIGNATURE
LAGUNA CLEAT MOUNT WINDOW BOX				A2-100				-		
DIMENSIONS	MATERIAL	COLOR / FINISH	REP	DB	DATE	REV	ORDER #	PROJECT / SIDEMARK / IF#	APPROVAL DATE	
-	PVC	-	-	IG	01/28/2025	1	-			

PLEASE NOTE: Due to the handmade nature of our products, individual measurements may vary from those listed. The provided dimensions are for reference only

All images are the intellectual property of Planters Unlimited. Reproduction in any form is strictly prohibitive without the express written permission of Planters Unlimited. All designs are property of Planters Unlimited.