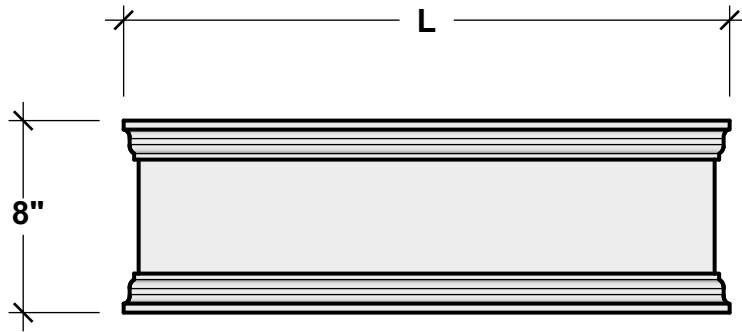
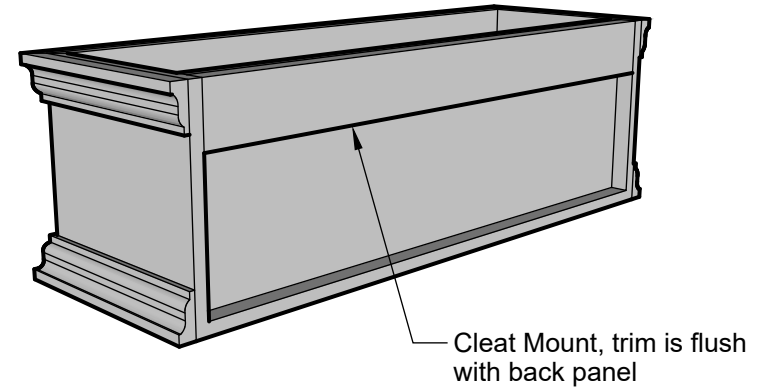


FRONT VIEW

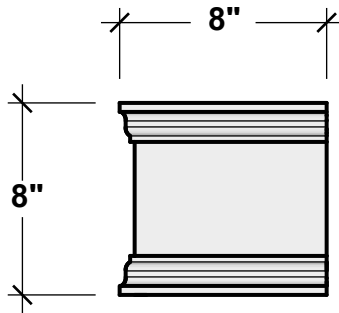


PERSPECTIVE VIEW



SIZE:
24"
30"
36"
42"
48"
60"
72"

SIDE VIEW



**PLANTERS
UNLIMITED**

A Carlsbad Manufacturing Company

1 (888) 320-0626

www.plantersunlimited.com

GENERAL NOTES

- 3"h x 3/4"thk Cleat Mount, trim is flush with back panel
- The window box is made of 1/2" thick PVC. Trim adds 1-1/4" to length and 5/8" to width

PRODUCT DESCRIPTION				SKU				PREPARED FOR		APPROVAL SIGNATURE
LAGUNA WINDOW BOX				CM-LAG				-		
DIMENSIONS	MATERIAL	COLOR / FINISH	REP	DB	DATE	REV	ORDER #	PROJECT / SIDEMARK / IF#	APPROVAL DATE	
-	Fiberglass	-	-	IG	-	1	-			

PLEASE NOTE: Due to the handmade nature of our products, individual measurements may vary from those listed. The provided dimensions are for reference only. All images are the intellectual property of Planters Unlimited. Reproduction in any form is strictly prohibitive without the express written permission of Planters Unlimited. All designs are property of Planters Unlimited.