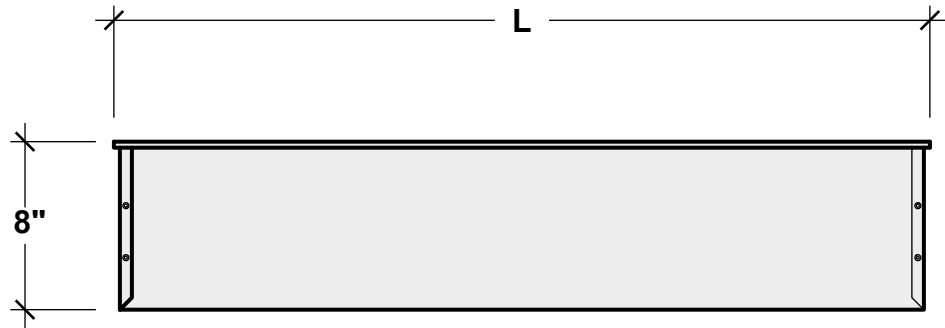
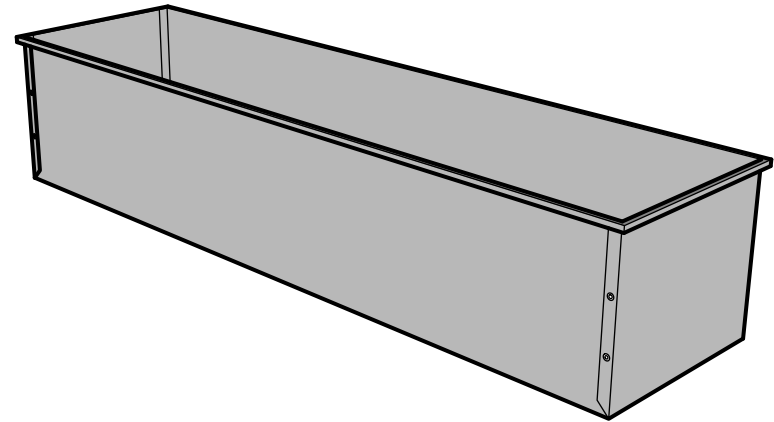


FRONT VIEW

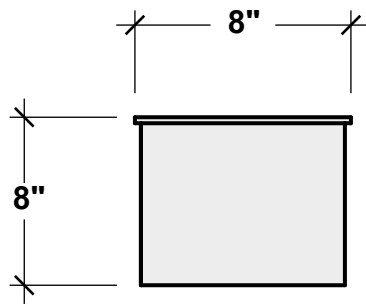


PERSPECTIVE VIEW



SIZE:
24"
30"
36"
42"
48"
60"
72"

SIDE VIEW



GENERAL NOTES

**PLANTERS
UNLIMITED**

A Carlsbad Manufacturing Company

1 (888) 320-0626

www.plantersunlimited.com

PRODUCT DESCRIPTION				SKU				PREPARED FOR	APPROVAL SIGNATURE
GALVANIZED WINDOW BOX LINER				CM-ML-				-	
DIMENSIONS	MATERIAL	COLOR / FINISH	REP	DB	DATE	REV	ORDER #	PROJECT / SIDEMARK / IF#	APPROVAL DATE
-	Galvanize	-	-	IG	-	1	-		

PLEASE NOTE: Due to the handmade nature of our products, individual measurements may vary from those listed. The provided dimensions are for reference only. All images are the intellectual property of Planters Unlimited. Reproduction in any form is strictly prohibitive without the express written permission of Planters Unlimited. All designs are property of Planters Unlimited.