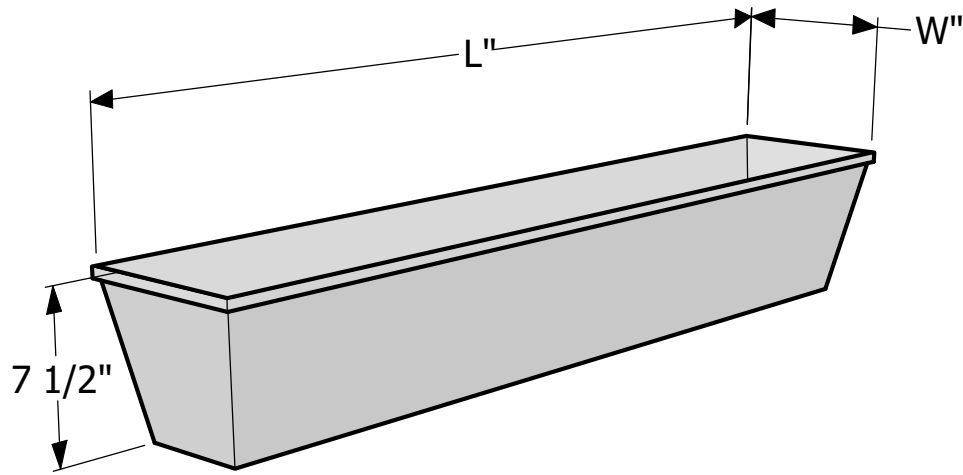


PERSPECTIVE VIEW



L SIZE	Top Dimensions	Bottom Dimensions
24"	24"L x 8"W	21"L x 5"W
30"	30"L x 8"W	27"L x 5"W
36"	36"L x 8"W	33"L x 5"W
42"	42"L x 8"W	39"L x 5"W
48"	48"L x 8"W	45"L x 5"W
60"	60"L x 8"W	57"L x 5"W
72"	72"L x 8"W	69"L x 5"W

PLANTERS
UNLIMITED

A Carlsbad Manufacturing Company

1 (888) 320-0626

www.plantersunlimited.com

GENERAL NOTES

PRODUCT DESCRIPTION				SKU				PREPARED FOR	APPROVAL SIGNATURE
OIL RUBBED BRONZE GALVANIZED 2-IN-1 WINDOW BOX / LINER				K-525OR					
DIMENSIONS	MATERIAL	COLOR / FINISH	REP	DB	DATE	REV	ORDER #	PROJECT / SIDEMARK / IF#	APPROVAL DATE
			Daniel	RM	03/2025				

PLEASE NOTE: Due to the handmade nature of our products, individual measurements may vary from those listed. The provided dimensions are for reference only

All images are the intellectual property of Planters Unlimited. Reproduction in any form is strictly prohibitive without the express written permission of Planters Unlimited. All designs are property of Planters Unlimited.